



Smart Energy Switch manual

The following instructions have been designed to assist in the installation of the Aeotec by Aeon Labs [Z-Wave Smart Energy Switch](#). Please note that the instructions are for the 1st Edition of the Smart Energy Switch.

Z-Wave Network Instructions:

The Aeon Labs Smart Energy Switch must be paired (included) into a Z-Wave network before it can receive Z-Wave commands to turn on/off and report its energy usage. The smart energy switch can only communicate to devices within it's own z-wave network.

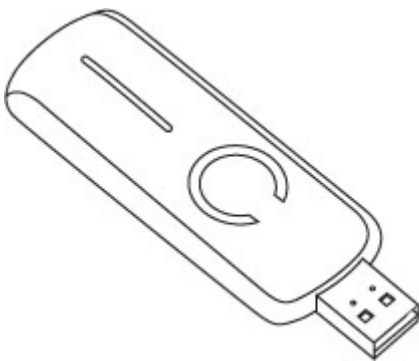
Note

The LED on the Smart Energy Switch will blink if it is currently not paired into a Z-Wave network.

Adding/Including/Pairing the Smart Energy Switch into a Z-Wave Network

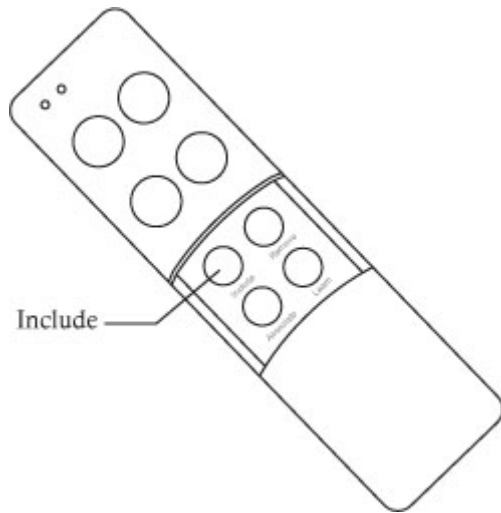
①

Press the button on the Aeon Labs Z-Stick to begin the Z-Wave inclusion process.



OR

Press the button labeled "Include" on the Aeon Labs Minimote to begin the Z-Wave inclusion process.

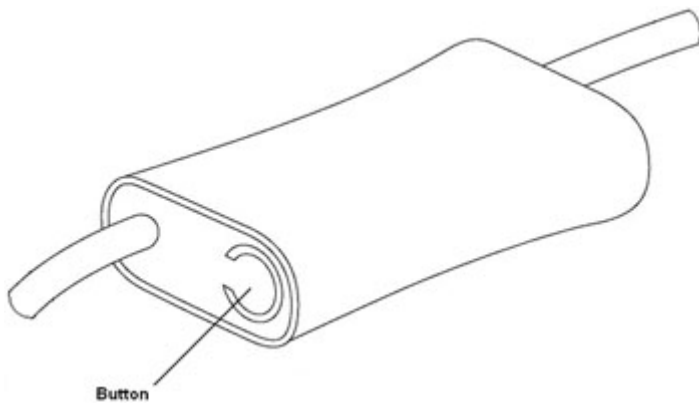


Note

To include the Aeon Labs Smart Energy Switch with other controllers, please consult the operation manual for these controllers on how to include Z-Wave products into an existing network. For instructions on select partner gateways, visit www.aeon-labs.com/support.

2

While the Smart Energy Switch is plugged into the outlet, press the button located between the LED.



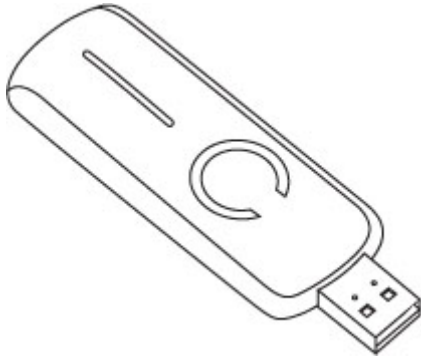
Troubleshooting

If the Aeon Labs Smart Energy Switch was not successfully included into any Z-Wave network, the LED will be blinking. If the Aeon Labs Smart Energy Switch was successfully included to a Z-Wave network, the LED will either be on or off (depending on if the switch is on or off).

Removing/Resetting the Smart Energy Switch from your Z-Wave Network

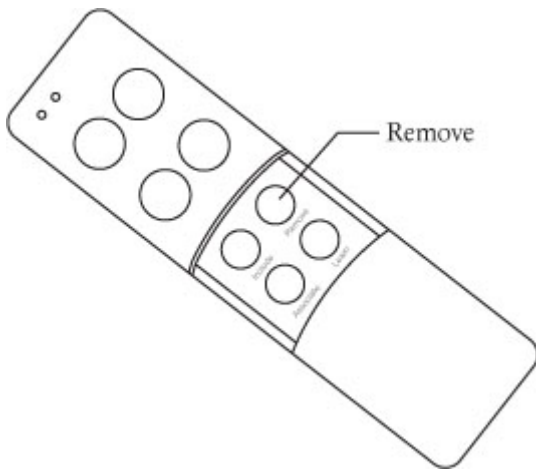
1

Hold the button on the Aeon Labs Z-Stick to begin the Z-Wave removal process.



OR

Press the button labeled "Remove" on the Aeon Labs Minimote Stick to begin the Z-Wave removal process.

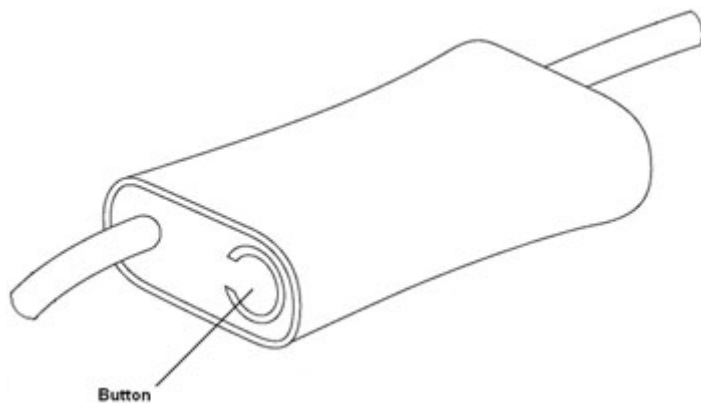


Note

To remove the Aeon Labs Smart Energy Switch from other controllers, please consult the operation manual for these controllers on how to remove Z-Wave products from an existing network. For instructions on select partner gateways, visit www.aeon-labs.com/support.

②

While the Smart Energy Switch is plugged into the outlet, press the button located between the LED.



Troubleshooting

If the Aeon Labs Smart Energy Switch was removed from the Z-Wave network, the LED will be blinking. If the Aeon Labs Smart Energy Switch was not successfully removed from the Z-Wave network, the LED will either be on or off (depending on if the switch is on or off).

Turning On/Off the Smart Energy Switch

Use any of the below methods to allow power through or cut power from the Smart Energy Switch.

- Through the usage of Z-Wave commands built into Z-Wave certified controllers and gateways. (The specific Z-Wave commands supporting this function are the Basic Command Class and Binary Switch Command Class.) Please consult the operation manual for these controllers for specific instructions on controlling the Smart Energy Switch.
- Pressing the button on the Smart Energy Switch will toggle power flow (on/off) through the Smart Energy Switch.

Monitoring Energy Consumption

The Aeon Labs Smart Energy Switch can report wattage energy usage or kWh energy usage to a Z-Wave gateway or controller when requested. If this function is supported by the gateway/controller, the energy consumption will be displayed in the user interface of the gateway/controller. (The specific Z-Wave commands supporting energy monitoring are the Meter Command Class and Multilevel Sensor Command Class. Automatic reports go to the only association group, 1, which is setup via the Association Command Class.) Please consult the operation manual for these gateways/controllers for specific instructions on monitoring the Smart Energy Switch.

Aangeboden door

XURA domotica